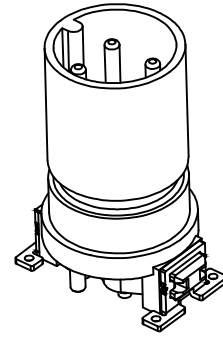
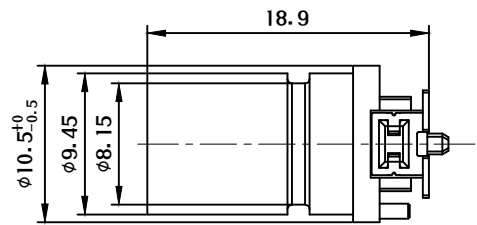
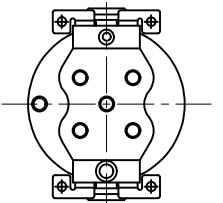
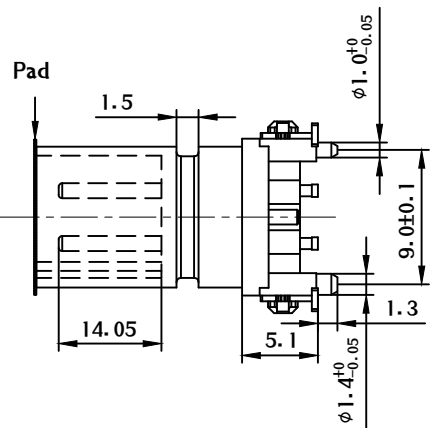
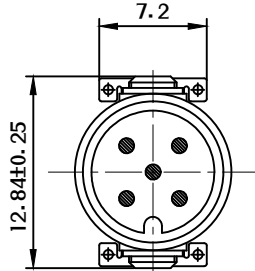


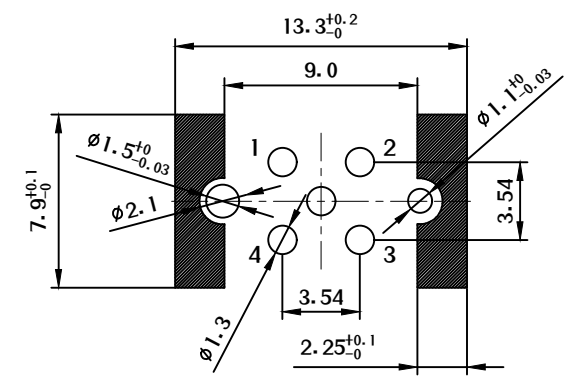
REV	ECN NO	DESCRIPTION	DATE	APPROVED
AA	-	NEW RELEASED	2020.03.25	CLARA



3D View



- Material:**
1. Insulation Housing: LCP Black UL94V-0.
 2. Fitting Nail: Brass Tin Plated.
 3. Contact: Phosphor bronze Gold Plated.
- Technical Data:**
1. Standard: IEC61076-2-101.
 2. Rated Voltage: See Table 1.
 3. Rated Current: See Table 1.
 4. Temperature Range: -40°C~+105°C.
 5. Durability: ≥500 Times Cycles.



Recommend P.C. Board Layout
Tolerance ±0.05

Connector Table 1

Bomcan Part No.	Coding & Pins	Plug Pin out	Contact Size(mm)	Rated Current	Rated Voltage	Accord design Standard
M12SMD04AP01	A Code 4 Pin		1.0	4A	250V/DC	IEC61076-2-101
M12SMD04AP01	A Code 5 Pin		1.0	4A	60V/DC	IEC61076-2-101
M12SMD05BP01	B Code 5 Pin		1.0	4A	60V/DC	IEC61076-2-101
M12SMD04DP01	D Code 4 Pin		1.0	4A	250V/DC	IEC61076-2-101



UNMARKED TOLERANCES	
DIMENSIONS	TOLERANCE
x.	±1.0
x.x	±0.5
x.xx	±0.25
0 to 500	+15 / -0
< 501	+3%/-0 of length
ANGLES	
x°	±1°



This drawing contains information that is proprietary to BOMCAN and should not be used without written permission. Powered by bomcan.com

DESCRIPTION	M12 DEVICE CONNECTOR PLUG STRAIGHT PCB MOUNTING SMD REFLOW SOLDERING			
DWG NO	-	BOMCAN PART No	M12SMDXXXP01	
DRAWN BY	CLARA 2020.03.25	CUSTOMER P/N	-	
CHECKED BY	CALEB 2020.03.25	SIZE: A3	SHEET	UNIT
APPROVED BY	BILL 2020.03.25	REV: AA	1 of 1	mm
			SCALE	Free
			Third angle projection	