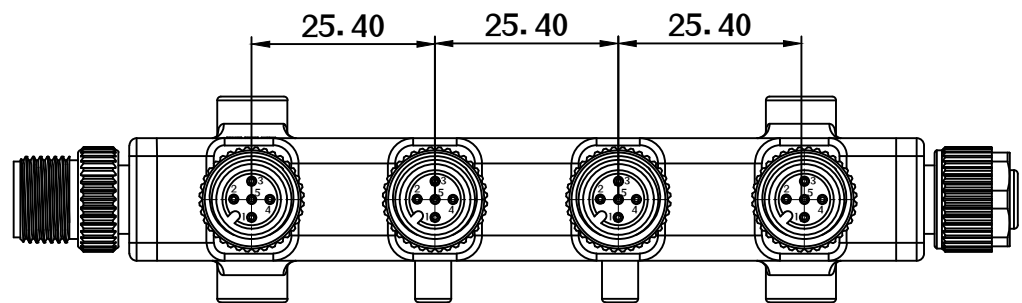
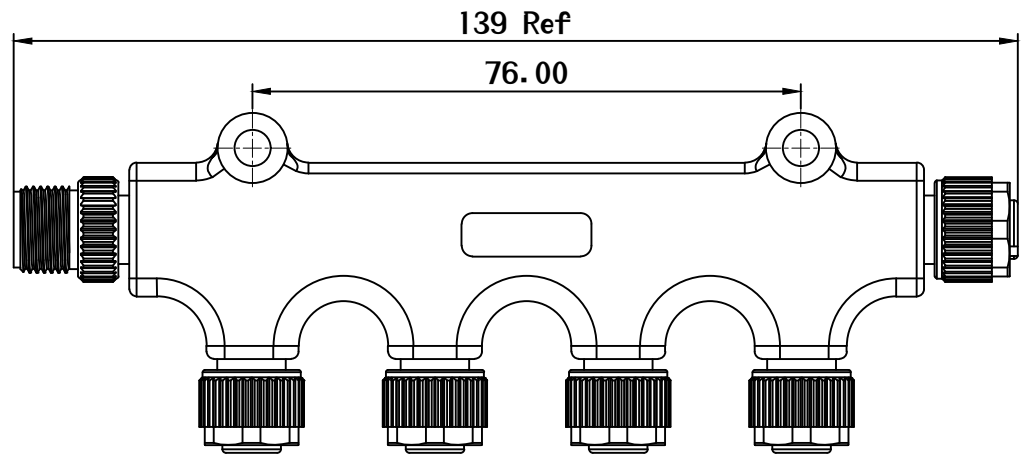
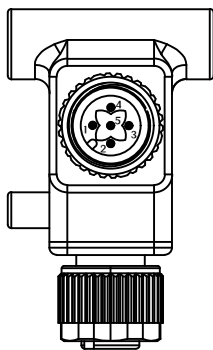


1		2		3		4		5	
REV	ECN NO	DESCRIPTION		DATE	APPROVED				
AA	-	NEW RELEASED		2020.07.28	CLARA				



Material specifications
 Insulation Housing: PA66, Black
 Contact: Copper Alloy, Gold-Plated
 Locking Nut: Copper Alloy, Nickel-Plated
 Overmolding: Black PVC

- Technical Data:**
- Standard: IEC61076-2-101
 - Rated Voltage: 60V DC
 - Rated Current: 4A
 - Rated Temperature: -40°C~+85°C
 - Durability: ≥100 Times Cycles
 - Protection Degree: IP67 (Correct locking state)



This drawing contains information that is proprietary to BOMCAN and should not be used without written permission. Powered by bomcan.com

DESCRIPTION	NMEA2000 T-SPLITTER MICRO CHANGE CONNECTOR ADAPTER			
DWG NO	M12A-T-SPLITTER	BOMCAN PART No	-	
DRAWN BY	CLARA 2020.07.28	CUSTOMER P/N	-	
CHECKED BY	CALEB 2020.07.28	SIZE: A4	SHEET	UNIT
APPROVED BY	BILL 2020.07.28	REV: AA	1 of 1	MM
			SCALE	Third angle projection
			FREE	

www.bomcan.com